

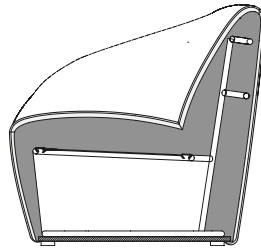


Design: Anders Nørsgaard

## PROFILE

## TECHNICAL DESIGN

- Steel inner frame
  - Spring system: nosag spring
  - Seat upholstery in cold moulded polyurethane foam, "density" 50 kg/m<sup>3</sup>
  - Backrest upholstery in cold moulded polyurethane foam, "density" 50 kg/m<sup>3</sup>
  - Standard foot: plastic
- The data of "density" can vary in a range of +/- 10%.



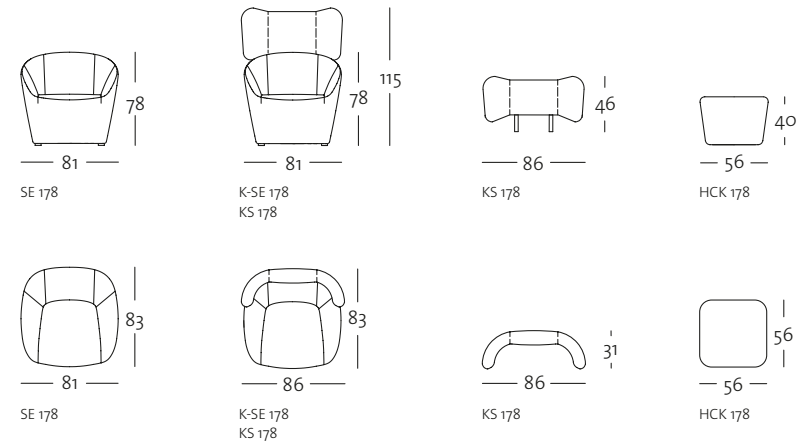
## INFORMATION

- **For an additional charge: plastic castors; soft for hard flooring (parquet, tiles, etc.), hard for soft flooring (carpets, etc.). Please specify accordingly when ordering.**
- The range is only suitable for velour covers to a limited extent. The fell seams and piping can lead to lines in the pile.
- The armchair can later be equipped with an additional headrest.
- There are more dividing seams in leather covers than in fabric covers. Detailed information about this can be found in the info section.



## OVERVIEW OF RANGE

### Front view/Top view



### Side view

